



# Budenberg

Made in Britain

4, Gilchrist Road, Northbank Industrial Park, Irlam, Manchester, UK. M44 5AY.

Tel : +44 (0)161 777 7300

Email : sales@budenberg.co.uk

Fax : +44 (0)161 777 7399

Web : www.budenberg.co.uk

## Model 97F

Model 97F is a full range of flange x flange, Short-Pattern Double Block & Bleed valves manufactured from a one piece forging or forged bar. The 97F has industry standard hub or flanged end connections to suit any customer requirement.

Manufactured from a single piece of material .

It can be provided in a full range of configurations of Single Block or Double Block and Bleed incorporating Budenberg Heavy Duty Needled Vales, OS&Y Isolation Valves or fully floating Ball Valve assemblies.

As units are manufactured to suit the individual customer needs therefore we are able to offer a full range of special configurations or connections or materials. All units are wholly designed and manufactured by Budenberg Ltd and as such can be provided with the full range of material and product testing including documentation and certification.

### Construction

Integrally forged and machined one piece Short-Pattern body and flanges to suit customer requirements

### Configurations

Single Block                      Single Block & Bleed  
Double Block                      Double Block & Bleed

- \* Optional Quills and Check Valves can be integrally fitted into the units for Injection or sampling applications
- \* Other configurations can be supplied to suit any existing or new application requirements

### Inlet & Outlet

The flanged end connections can be of different types, sizes, ratings and materials including, but not restricted to:

- \* ANSI B16.5 Flanges from 1/2" to 4" in ratings from 150 to 2500 lbs in RF, FF, SRF and RTJ
- \* API Flanges up to 2.1/16", 3000, 5000 & 10,000 lbs
- \* Hub End connections including Techlok, Norsok, Graylok etc
- \* ECON 4500 range of Flange connections

### Vent

Standard Vent connection is 1/2" NPTF screwed connection but other connections including flange options are available

### Bore Sizes

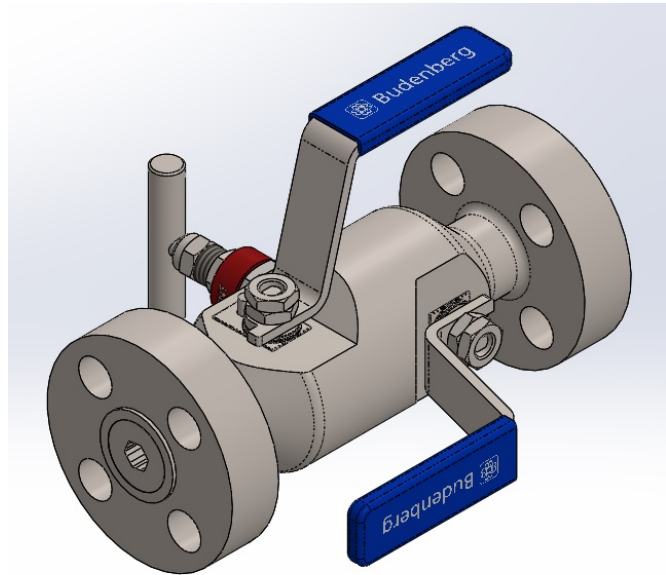
The through bore of the unit is dependant upon the type of valve selected for the Primary and Secondary Isolation Valves The vent valve is offset from the main bore and therefore can be of a different style and bore.

Ball Valve Bore - 10 mm, 14 mm and 20 mm

### Materials

Units manufactured from forged bar. Materials include: 316 St St, LF2 LT C.S, F51 Duplex, 6Mo 25% Cr but the full range of exotic materials can be available

## FORGED DOUBLE BLOCK & BLEED VALVE



### Ball Valve Assemblies

Fully Floating Solid all Valve Assemblies with cavity relief through the seats. Seat material is PTFE and PEEK™ as an option

### Needle & OS&Y Valve Assemblies

Both Heavy Duty Needle & OS&Y Valve Head Assemblies both incorporate a full range of features including:

- \* Anti static , anti blow-out stems
- \* Self centring, non-rotating stem tips provide a true metal to metal valve seat whereby the material of the stem tip is one grade harder than the body thus resisting over tightening, preventing wear and guaranteeing a 100% bubble tight seat closure, first time, every time

### No Threads in the process stream

All Ball, Needle & OS&Y valve assemblies incorporate a 'soft' parent metal sealing rings that are located directly below the head and connection adaptors to ensure that no threads are directly in the process stream

### Stem Packing

Fully adjustable, dynamically responsive, multi ring gland sandwich', in either PTFE or Graphoil, to resist all operating pressures and processes. Budenberg offer 100% gland integrity for the lifetime of every valve

### Other Features

- \* Hydro static and or Gas Pressure Testing to BS 6755 Pt 1
- \* Fire safe to BS 6755 Pt 2, ISO 10497, API 607
- \* Material thickness as defined in ANSI / ASME B16.34
- \* Flange Dimensions as defined in ANSI / ASME B16.5
- \* Standard Material Certification to EN 10204 3.1b
- \* Can be manufactured in a full range of standard and special materials to suit the application

 Budenberg

**Budenberg Gauge Co. Ltd.**

4 Gilchrist Road,  
Irlam,  
Manchester M44 5AY.

Tel: +44 161 777 7300.

Fax: +44 161 777 7301.

Email: sales@budenberg.co.uk

**Budenberg Gauge Pvt. Ltd.**

299-300, IInd Main Road,  
Nehru Nagar,  
Old Mahabalipuram Road ( OMR ) ,  
Chennai - 600 096,  
Tamil Nadu , India

Tel : +91 44 24541074

Tel/Fax: +91 44 24541075

Email :sales@budenberg-gauge.in

**Budenberg Gauge Pte. Ltd**

18 Sin Ming Lane  
#07-12  
Midview City  
Singapore 573960

Tel : +65 3158 5419

Email:sales@budenberg-gauge.asia

**Budenberg Middle East**

**Trading LLC**  
PO Box 18980  
Dubai  
United Arab Emirates

Tel: +971 4 2511670

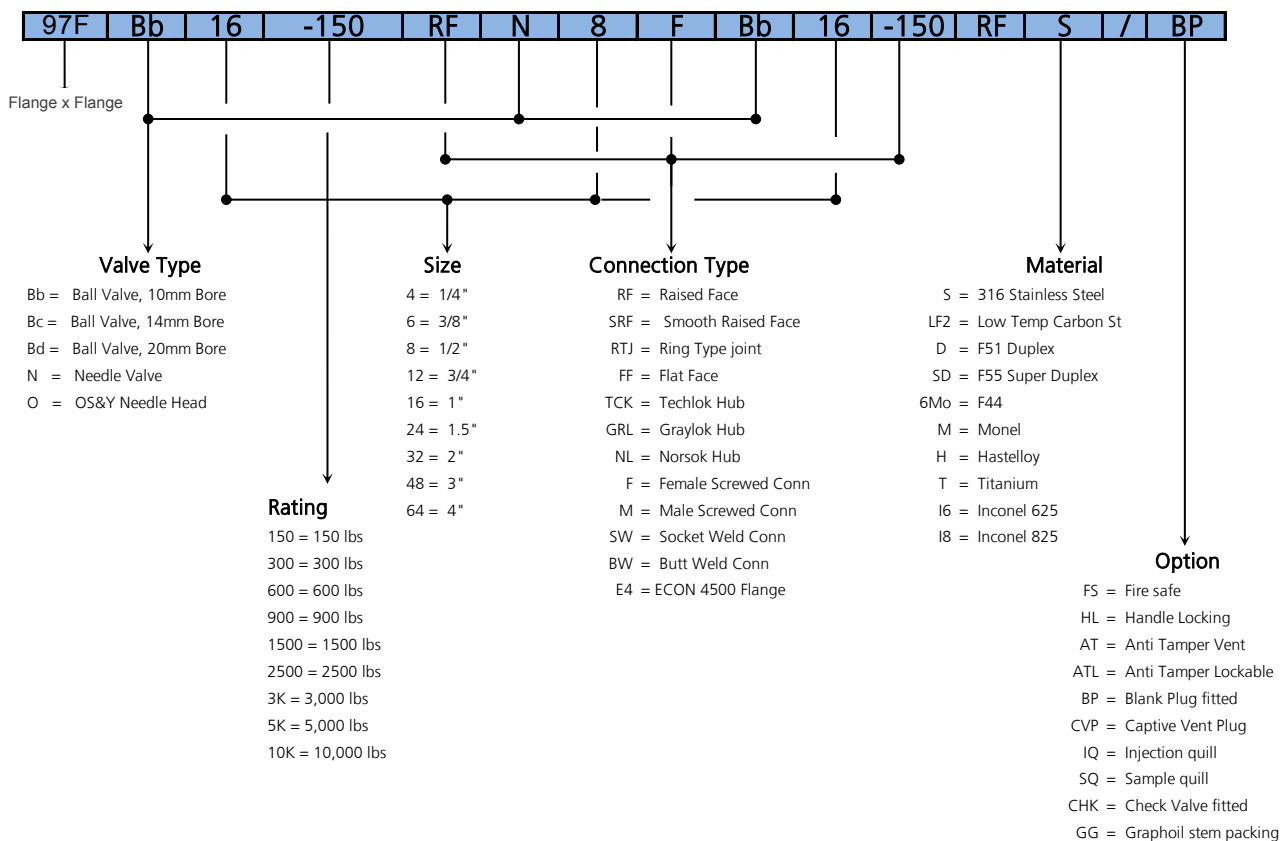
Email: sales@bme-me.com

# How to specify Type 97F DBB Valves.

The part number is compiled from a series of generic and alphanumeric codes that define the base unit and options. The structure of the part number is compatible with other range of Budenberg Valves and follow the definition of the valve by defining the Primary Isolation Valve, Vent Valve and the Secondary Isolation Valve in sequence thereafter the material and options are then defined.

**Typical definition:**

DBB Valve, 1" 150RF Flanged inlet and outlet flange process inlet, flange outlet, 1/2" NPT needle valve vent, 10mm bore, ASTM A182 F316 Stainless Steel Body, fitted with blank plug



**Notes**

- 1) The above is merely representative of standard configurations and options. For other options, configurations or materials contact our sales department
- 2) Bore sizes relate to the primary and secondary isolation valves only and not the vent valve.
- 3) Valves may be subject to a wide range of protective finishes and painting processes as defined by the project. Please contact our sales department to discuss.

Specifications and dimensions in this leaflet, are subject to change without prior notice.



<p><b>Budenberg Gauge Co. Ltd.</b>                  4 Gilchrist Road,                  Irtam,                  Manchester M44 5AY.                  Tel: +44 161 777 7300.                  Fax: +44 161 777 7301.                  Email: sales@budenberg.co.uk</p>	<p><b>Budenberg Gauge Pvt. Ltd.</b>                  299-300, IInd Main Road,                  Nehru Nagar,                  Old Mahabalipuram Road ( OMR ),                  Chennai - 600 096,                  Tamil Nadu , India                  Tel : +91 44 24541074                  Tel/Fax: +91 44 24541075                  Email :sales@budenberg-gauge.in</p>	<p><b>Budenberg Gauge Pte. Ltd</b>                  18 Sin Ming Lane                  #07-12                  Midview City                  Singapore 573960                  Tel : +65 3158 5419                  Email:sales@budenberg-gauge.asia</p>	<p><b>Budenberg Middle East Trading LLC</b>                  PO Box 18980                  Dubai                  United Arab Emirates                  Tel: +971 4 2511670                  Email: sales@bme-me.com</p>
--	--	---	--