

## 63mm PROCESS GAUGE



The Classic 726 range of Pressure Gauges are designed to meet the high demands of the process industry as well as diverse range of applications.

From harsh corrosive chemical applications to general engineering uses, the Classic 726 combines a high specification with a very cost effective price.

The standard unit incorporates 316 stainless steel wetted parts that are housed within a liquid fillable 316 stainless steel case. Standard units are available as dual scale bar and psi but custom scales can be supplied. 316L wetted parts and cases are available as an option.

Available in direct, surface or flush mounting variants, the 726 can be configured to suit any individual application. In addition, Budenberg can supply a full range of Syphons, Snubbers, Gauge Savers, Manifolds, Diaphragm Seals etc Seals etc.

**Size**

63mm (2.5")

**Mounting**

Direct, Surface, Flush or direct with rear connection

**Case & Bezel**

One-piece open front case in 316 Stainless Steel with a safety blow out plug in the top of the unit. The bezel is in polished 316 stainless steel with a bayonet locking mechanism. 316L wetted parts and cases are available as an option.

**Scale Ranges**

0 to 1 bar to 0 to 1700 bar or equivalent units of pressure / vacuum are available. Stock units are dual scale bar / psi

**Pressure Element**

≤80 Bar – 316 Stainless Steel Bourdon Tube  
 ≥81 Bar - 316 Stainless Steel Coil  
 316L wetted parts and cases are available as an option.

**Overload**

Units withstands overload pressure up to 130% of FSD

**Pressure Connection**

1/4" NPT as standard, Option: 1/8" BSP, 1/4" BSP

**Accuracy Class**

CL:1 1.0% of FSD as defined in EN837-1

**Temperature**

Operating: -40 to +60 °C  
 Storage: -40 up to +100 °C

Options: for lower or higher operating temperatures, please contact our Sales Office

**Temperature Effect**

+/- 0.4% per 10 °C

**Dial**

White Anodised Aluminium marked in black finish  
 Dual scale bar/psi is standard but custom dials are available

**Pointer**

Black Aluminium Pointer

**Movement**

304 Stainless Steel  
 Construction

**Filling**

The case can be supplied filled with glycerine or silicon oil or can be filled at site

**Window**

Toughened Safety Glass

**Environmental Rating IP67**

as defined in EN 60 529

**Traceability**

All instruments are individually calibrated  
 A Certificate of Conformity is Supplied Free of Charge

**Safety**

All units are manufactured to comply with EN 837-1 specification and other regulatory standards including PED.

**Installation instructions**

Refer to EN 837-2

**Budenberg Gauge Co. Ltd.**

4 Gilchrist Road,  
 Irlam,  
 Manchester M44 5AY.

Tel: +44 161 777 7300.  
 Fax: +44 161 777 7301.  
 Email: sales@budenberg.co.uk

**Budenberg Gauge Pvt. Ltd.**

299-300, IInd Main Road,  
 Nehru Nagar,  
 Old Mahabalipuram Road ( OMR ),  
 Chennai - 600 096,  
 Tamil Nadu , India

Tel : +91 44 24541074  
 Tel/Fax: +91 44 24541075  
 Email :sales@budenberg-gauge.in

**Budenberg Asia Pacific Ltd**

Unit 7A, G/F Cheung Fat Ind Bldg  
 64-76 Larch St, Tai Kok Tsui Kin,  
 Hong Kong

Tel : +852 3709 0020  
 Email:sales@budenberg-gauge.asia

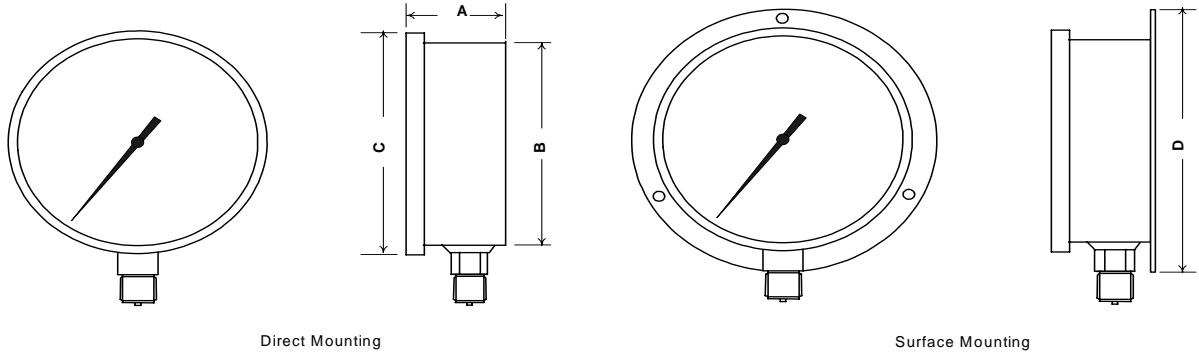
**Budenberg Middle East**

Trading LLC  
 PO Box 18980  
 Dubai  
 United Arab Emirates

Tel: +971 4 2511670  
 Email: sales@bme-me.com

## Dimensions

## Model : 726



Type	A	B	C	D	Hole Diam	PCD	Weight
63mm Direct Mount (Bottom)	34mm	65mm	65mm				170g
63mm Surface Mount (Bottom)	37mm	65mm	65mm	86mm	3.6mm	72-75mm	170g
63mm Direct Mount (Rear)	27mm	65mm	65mm				170g
63mm Flush Mount (Rear)	27mm	65mm	65mm				170g

### Standard Stock units - 100 mm, Dual Scale bar / psi

Stock No	Range	Connection	Stock No	Range	Connection
73601.01/2N	0 - 1.0 bar	1/2" NPT m	73601.03/8	0 - 1.0 bar	3/8" BSP m
73601.61/2N	0 - 1.6 bar	1/2" NPT m	73601.03/8	0 - 1.6 bar	3/8" BSP m
73602.51/2N	0 - 2.5 bar	1/2" NPT m	73601.03/8	0 - 2.5 bar	3/8" BSP m
73604.01/2N	0 - 4.0 bar	1/2" NPT m	73601.03/8	0 - 4.0 bar	3/8" BSP m
73606.01/2N	0 - 6.0 bar	1/2" NPT m	73601.03/8	0 - 6.0 bar	3/8" BSP m
736010.01/2N	0 - 10 bar	1/2" NPT m	73601.03/8	0 - 10 bar	3/8" BSP m
736016.01/2N	0 - 16 bar	1/2" NPT m	73601.03/8	0 - 16 bar	3/8" BSP m
736025.01/2N	0 - 25 bar	1/2" NPT m	73601.03/8	0 - 25 bar	3/8" BSP m
736040.01/2N	0 - 40 bar	1/2" NPT m	73601.03/8	0 - 40 bar	3/8" BSP m
736060.01/2N	0 - 60 bar	1/2" NPT m	73601.03/8	0 - 60 bar	3/8" BSP m

### Accessories

Budenberg can supply a full range of gauge accessories and manifolds that include:

Externally Adjustable Snubber	-	See datasheet VAC 51
U' and Scroll syphons	-	See datasheet VAC 52
Overload Protection Valves	-	See datasheet VAC 53
Gauge Swivel Adaptors	-	See datasheet VAC 50
Needle Valves	-	See datasheet VAC 16 - 17
Ball Valves	-	See datasheet VAC 15
Block & Bleed Manifolds	-	See datasheet VAC 20
Diaphragm Seal units	-	See datasheets BUD 38 - 45

Please contact our Sales Office for any special requirements including units for operation on special services, higher temperature operation or customised dials.,

Budenberg Gauge Co. Ltd.  
4 Gilchrist Road,  
Irlam,  
Manchester M44 5AY.

Tel: +44 161 777 7300.  
Fax: +44 161 777 7301.  
Email: sales@budenberg.co.uk

Budenberg Gauge Pvt. Ltd.  
299-300, IInd Main Road,  
Nehru Nagar,  
Old Mahabalipuram Road ( OMR ) ,  
Chennai - 600 096,  
Tamil Nadu , India

Tel : +91 44 24541074  
Tel/Fax: +91 44 24541075  
Email : sales@budenberg-gauge.in

Budenberg Asia Pacific Ltd  
Unit 7A, G/F Cheung Fat Ind Bldg  
64-76 Larch St, Tai Kok Tsui Kin,  
Hong Kong

Tel : +852 3709 0020  
Email:sales@budenberg-gauge.asia

Budenberg Middle East  
Trading LLC  
PO Box 18980  
Dubai  
United Arab Emirates

Tel: +971 4 2511670  
Email: sales@bme-me.com