



Model: 202

An impressive technical specification and wide range of standard features make the PREMIUM the obvious choice for a wide range of process and engineering applications.

The Model 202 Rubber Capsule encompasses all the above and by fitting the Premium Gauge with a suitable Viton Sac, the pressure gauge can be used to measure pressures of media that would normally block the inlet of a normal pressure gauge.

Typical applications are effluent disposal, solidifying media such as fatty foodstuffs, and grout. Paper stock is renowned for blocking instrumentation, and this is a simple solution.

Accurate pressure readings of such applications with sudden pressure surges can be accommodated with a viscous damped movement and a snubber.

Size

100 mm (4") & 150mm (6")

Mounting

Direct

Case & Bezel

Rugged one-piece full Safety Pattern case to S3 standard with a solid baffle partition wall and full blow out back manufactured in 1.6mm thick, 316L stainless steel.

Scale Ranges

0 to 1 bar up to the maximum for the measuring element
Equivalent units of pressure / vacuum available
Single and dual scales are available

Pressure Element

≤80 Bar – 316 Stainless Steel Bourdon Tube

Overload

Units withstands overload pressure up to 130% of FSD
Overload & vacuum stops are fitted on the movement

Option: Mechanical overload clamps fitted internally to enable units to withstand up to 3x the max scale reading

Pressure Connection in 316 Stainless Steel

3/8", 1/2" BSP

Other connections available, contact our Sales Dept for details

Accuracy Class

CL:1 1.0% of FSD as defined in EN837-1
Option: 0.5% of FSD as defined in EN837-1

Temperature

Operating: -20 to +50 °C

Options: for lower or higher operating temperatures, please contact our Sales Office

BOURDON TUBE PRESSURE GAUGE RUBBER CAPSULE GROUT GAUGE



Dial

White Anodised Aluminium marked in black finish
Single or dual scale

Pointer

Stainless steel coloured black
Options: Micrometer adjustable pointer

Movement

316L Stainless Steel Construction
Option : Viscous Damped movement to overcome the effects of minor pressure pulsations

Window

3mm Laminated Safety Glass (Standard)
Option: Acrylic Plastic Window

Environmental Rating

IP67 as defined in EN 60 529

Traceability

All instruments are individually calibrated and have a unique Serial Number printed on the dial. A Certificate of Conformity Traceable to National Standards is Supplied Free of Charge

Certification available

BS EN 10204 3.1B Material Certification
Point by Point Test Certificate

Safety

All units are manufactured to comply with EN 837-1, S3 specification and other regulatory standards including PED.

Installation instructions

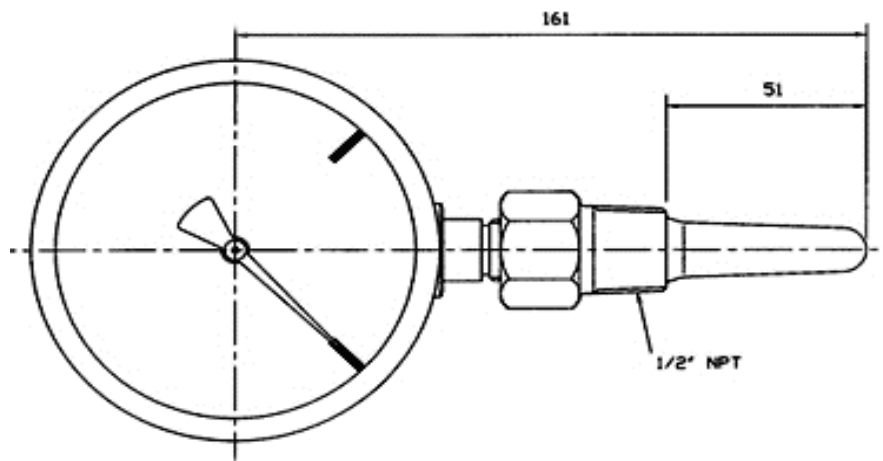
Refer to EN 837-2

Temperature Effect

Variation in indication caused by temperature shall not exceed $\pm 0.04 \times (t_2 - t_1)\%$ of the span where:

t1 is the reference ambient temperature in degrees Celsius

t2 is the ambient temperature in degrees Celsius



**For details of the Pressure Gauge head please see 966GP Datasheet.

Options .

Case : Viscous Damped movement
 Element : 316L Stainless Steel
 Accuracy : 0.5% of FSD as defined in EN837-1
 Window : Acrylic Plastic Window
 Pointer : Micrometer adjustable Model 270
 Dials : Special sectors, Logos etc.

Application

These are intended for applications where, with a Pressure Gauge of standard construction, the interior of the Bourdon Tube would become either blocked by the working medium or, in the case of foodstuffs, would provide a trap which would be unacceptable for bacteriological reasons.

Consultants specialising in effluent disposal specify this type of gauge for the direct measurement of pressures in sewage sludge etc. Another application is on paper stock where the medium can also block a standard inlet very quickly.

Gauges for these applications have their systems filled with a light mineral oil, and the ones used on foodstuffs are filled with medicinal paraffin.

For high pressures we offer a Stainless Steel capsule. (See separate Datasheet)
 on foodstuffs are filled with medicinal paraffin.