



Budenberg



Made in Britain

Unit B2, Stuart Road,
Altrincham Business Park,
Altrincham WA14 5GJ,
United Kingdom.

budenberg.co.uk
sales@budenberg.co.uk
+44 (0)161 777 7300

Model: P91/CSE

The model P91/SE Schaffer Diaphragm gauges are manufactured with a special DMC (Dough Moulding Compound) safety case and are designed for use on slurries, viscous or corrosive fluids that would normally attack or block standard bourdon tubes.

Implementing specialist materials for both the connection and diaphragm enable the Schaffer Diaphragm gauge to be configured for use on any gaseous or liquid media including suspended solids or powders. The direct drive from the diaphragm to the movement ensures a more positive indication of pressure than other models of tube gauges.

Offering a full range of screwed connection sizes and materials, Schaffer Diaphragm gauges can operate at pressure ranges as low as 30 mBar with the option to permit units to withstand a maximum pressure of 70 bar.

Size

150 mm (6")

Mounting

Direct and Surface

Option: Flush Mounting, contact Sales Department

Case & Bezel

DMC (Dough Moulding Compound) is glass-reinforced polyester with central partition and blow out back. It has extremely high impact strength, is self-extinguishing and is stable at 160°C and down to arctic temperatures

Scale Ranges

0 to 30 mBar up to 25 bar Pressure / Compound ranges

Equivalent units of pressure / vacuum available

Single and dual scales are available

Option: Custom scales for special applications, i.e. tank contents

Overload

Units withstands overload pressure up to 125% of FSD
See reverse for table of maximum overloads for different diaphragm materials

Pressure Connection

3/8", 1/2" BSP, 1/2" NPT External as standard

Other connections available, contact our Sales Dept

Connection Material

Stainless Steel as standard

Options: Carbon Steel, Monel, Titanium, Hastelloy, Tantalum

Lining Options: PTFE, Halar, PDA

Diaphragm Material

316 Stainless Steel as standard

Options: Monel, Tantalum, Hastelloy, Silver or PTFE Protected

Other materials to suit application are available

Accuracy Class

1.0% of FSD as defined in EN837-1

1.5% of FSD if diaphragm is protected

SCHAFFER DIAPHRAGM GAUGE DMC CASE SCREWED CONNECTION



Dial

White Anodised Aluminium marked in black finish

Dual scales, bands and sectors are also available

Customisation with company Name & Logo

Pointer

Aluminium coloured black

Option: Micrometer adjustable pointer for Ranges \geq 350 mBar

Movement

Brass Construction

Window

Laminated Safety Glass (Standard)

Option: Acrylic Plastic Window

Environmental Rating

IP65 as defined in EN 60 529

Traceability

All instruments are individually calibrated and have an unique Serial Number printed on the dial. A Certificate of Conformity Traceable to National Standards is Supplied Free of Charge

Certification available

BS EN 10204 3.1B Material Certification

Point by Point Test Certificate

Safety

All units are manufactured to comply with EN 837-3.

specification and other regulatory standards including PED.

Installation instructions

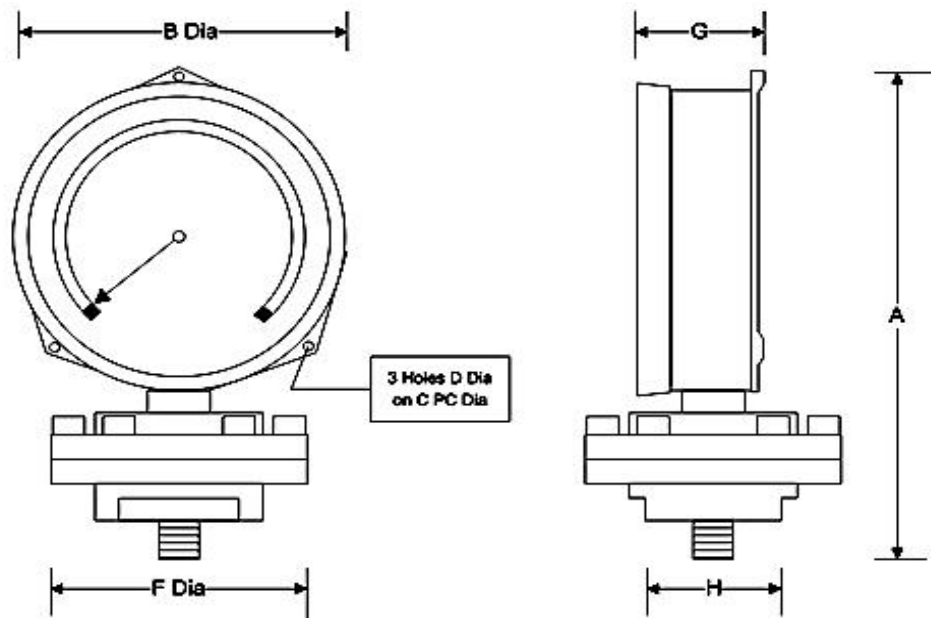
Refer to EN 837-2

Temperature

Operating: -20 to +90 °C

Storage: -40 up to +100 °C

For lower or higher operating temperatures, please contact our Sales Office



Model No	A	B	C	D	F	G	H	Weight
150mm P91/SE	250mm	170mm	165mm	5mm	100mm	65mm	45mm	2.7 Kg

Diaphragm Material	Ranges	Max Overload
316 Stainless Steel	30 mBar	3 times Gauge Range
	50 mBar	3 times Gauge Range
17-7 Stainless steel	80 mBar	10 times Gauge Range
	100 mBar	10 times Gauge Range
13% Cr Stainless Steel	350 mBar	35 Bar
	3.5 Bar	70 Bar
	25 Bar	70 Bar

Diaphragm Protection

Tantalum, Hastelloy and Monel above 600 mBar (10 Psi)
 316L Stainless Steel above 350mBar (5 Psi)
 PTFE any pressure or Vacuum, but not on gases above 600 mBar (10 Psi)

Pulsations and vibrations

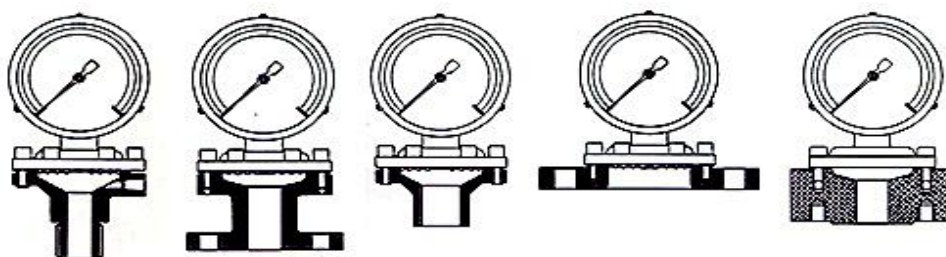
Where possible on applications where pulsations and vibration is present it is advisable to use a Diaphragm Seal

Options

Mounting : Surface & Flush mounting available
 Window : Acrylic Plastic Window

Connections

Contact our Sales Department for various connections (See samples below)



Specifications and dimensions in this leaflet, are subject to change without prior notice.