

150mm / 250mm SAFETY PATTERN HIGH PRESSURE GAUGES



Models 964GP and 564GP are for use on high pressure applications such as hydraulic power packs and pressure testing equipment.

These are also suitable for pressure measurements on hydraulic metal forming, sintering, and autofrettage chemical processes.

Models 964GP & 564GP meet the American Petroleum Institute Specification 14.D.

All models are of Safety Pattern construction.



Size

150 mm (6") Model 964GP
250 mm (10") Model 564GP

Mounting

Direct, Surface and Flush

Case & Bezel

150mm Models have 316 Stainless Steel Cases and Bezels
250mm Models have Aluminium Cases and St Steel Bezels

Scale Ranges

0 to 1600 Bar up to 4000 Bar or equivalent units
Standard Ranges as per EN837-1.

Pressure Element

316 Stainless Steel Coil & Socket

Pressure Connection

Direct Mounting : 1/2" BSP with a length of 32mm (1.25") with a flat endface and 3mm(0.125") inlet to accommodate a small hardened Stainless Steel coned joint ring.

Other connections are available upon request.

Accuracy Class

CL:1 1.0% of FSD as defined in EN837-1
Option: 0.5% of FSD as defined in EN837-1

Temperature

Operating: -20 to +90 °C
Storage: -40 up to +100 °C
Options: for lower or higher operating temperatures, please contact our Sales Office

Dial

White Anodised Aluminium marked in black finish
Single or dual scale

Pointer

Stainless steel coloured black
Options: Micrometer adjustable pointer

Movement

Stainless Steel Construction
Option : Viscous Damped movement to overcome the effects of minor pressure pulsations

Window

3mm Laminated Safety Glass (Standard)
Option: Acrylic Plastic Window

Environmental Rating

IP65 as defined in EN 60 529

Traceability

All instruments are individually calibrated and have an unique Serial Number printed on the dial. A Certificate of Conformity Traceable to National Standards is Supplied Free of Charge

Certification available

BS EN 10204 3.1B Material Certification
Point by Point Test Certificate

Safety

All units are manufactured to comply with EN 837-1, S3 specification and other regulatory standards including PED.

Installation instructions

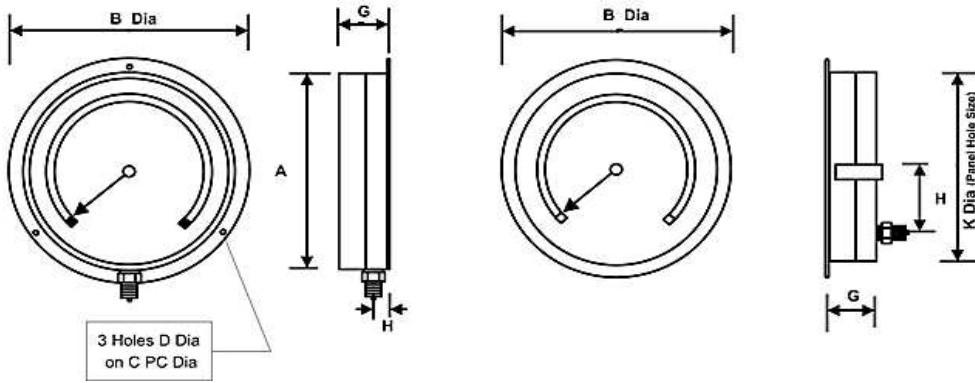
Refer to EN 837-2

Temperature Effect

Variation in indication caused by temperature shall not exceed $\pm 0.04 \times (t_2 - t_1)\%$ of the span where:
t1 is the reference ambient temperature in degrees Celsius
t2 is the ambient temperature in degrees Celsius

Dimensions

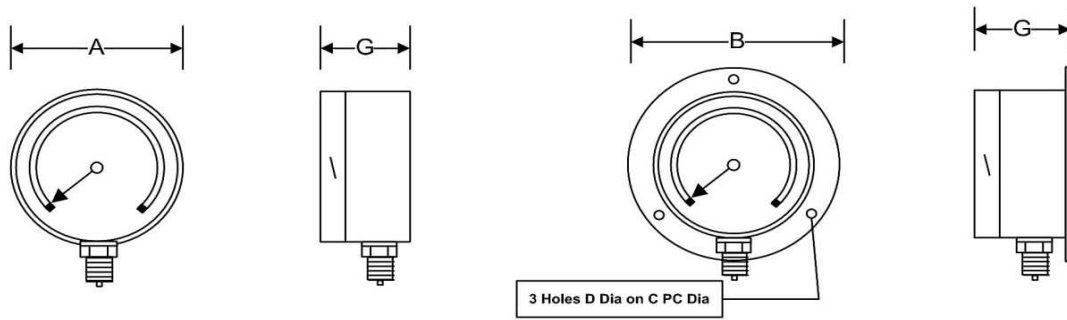
Models : 964GP & 564GP



564FGP - Surface Mounting
564GP - Direct Mounting (No back Flange)

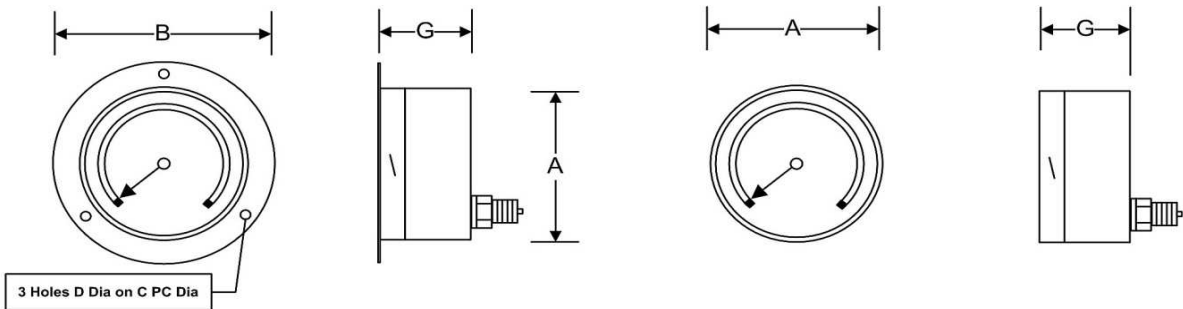
11/564GP - Flush Mounting

Model No	A	B	C	D	G	H	K	Weight
250mm 964FGP Surface Mounting	259mm	290mm	273mm	6.4mm	66mm	20mm		2.9 Kg
250mm 964GP Direct Mounting	259mm	N/A	273mm	6.4mm	66mm	20mm		2.9 Kg
250mm 11/964GP Flush Mounting	283mm				90mm	80mm	270mm	2.3 Kg



Direct Mounting 964GP

Surface Mounting 964FGP



Flush Mounting 11/964GP

Direct Mounting Rear 964GP-DR

Model No	A	B	C	D	G	Weight
150mm 564GP	105mm	131mm	118mm	6mm	52mm	0.8kg
150mm 564FGP	105mm	131mm	118mm	6mm	52mm	1.1kg
150mm 11/564GP	162mm	183mm	168mm	6mm	53mm	1.1kg
150mm 564GP-DR	162mm	183mm	168mm	6mm	53mm	0.8kg

Specifications and dimensions in this leaflet, are subject to change without prior notice.

Budenberg Gauge Co Ltd

Unit B2, Stuart Road, Altrincham Business Park, Altrincham WA14 5GJ, United Kingdom.
 +44 (0)161 777 7300 | sales@budenberg.co.uk | www.budenberg.co.uk